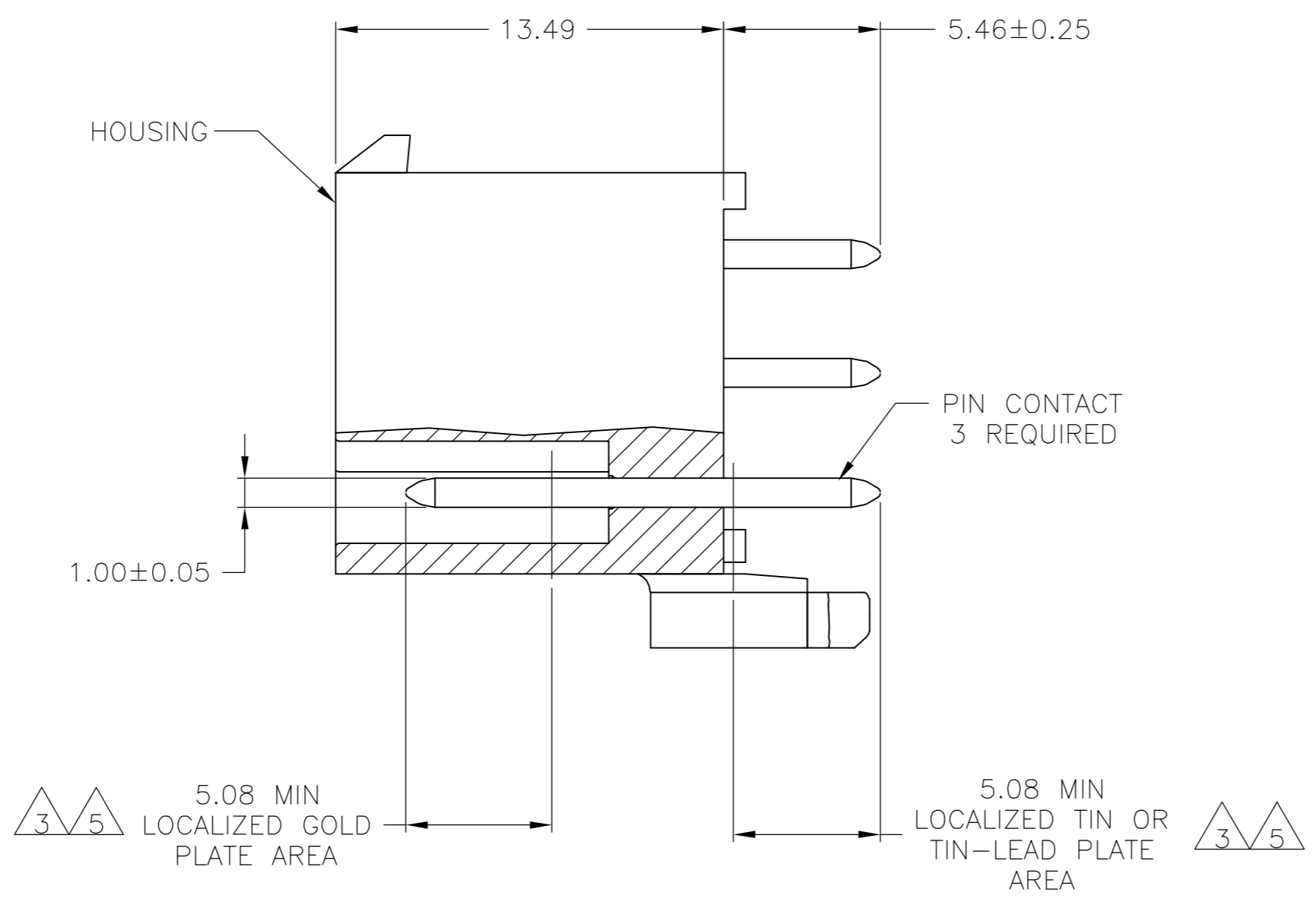
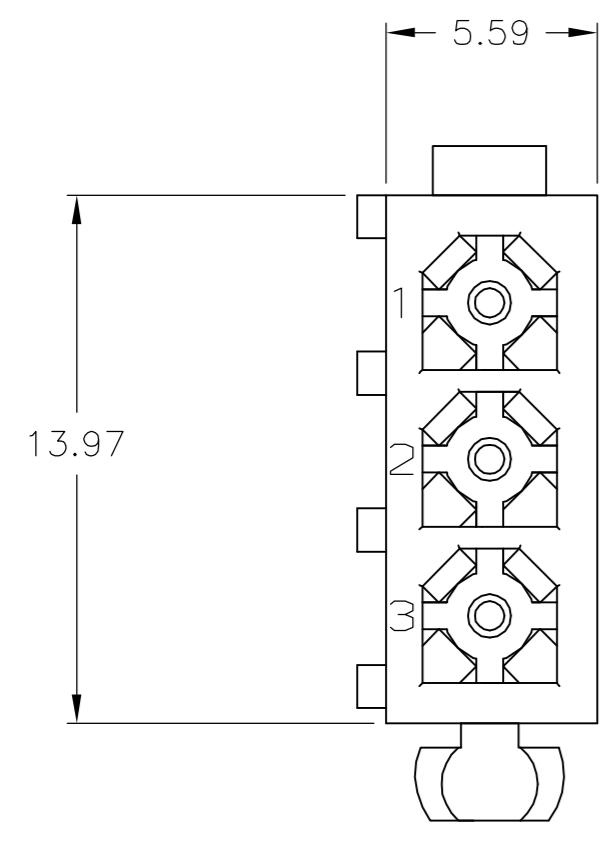
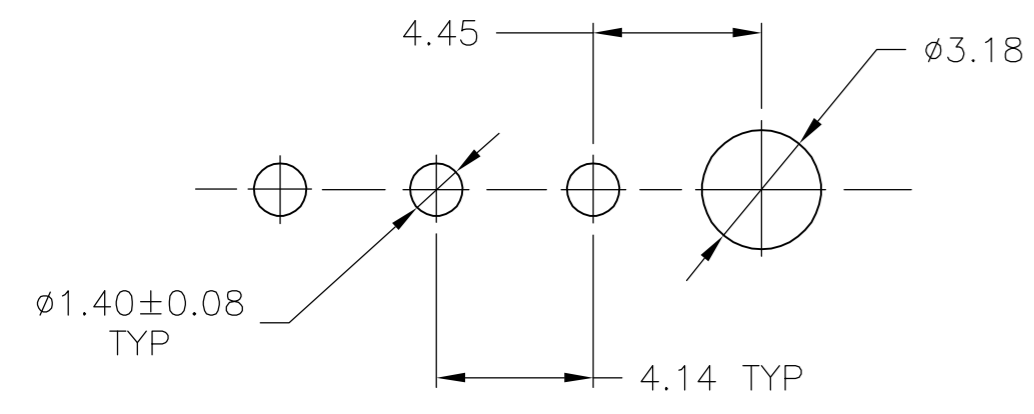


THIS DRAWING IS UNPUBLISHED. RELEASED FOR PUBLICATION
 © COPYRIGHT BY TYCO ELECTRONICS CORPORATION. ALL RIGHTS RESERVED.

LOC	DIST	REVISIONS			
P	LTR	DESCRIPTION	DATE	DWN	APVD
CM	00	A	EC 063B 0212 05	16AUG05	BSV RJ



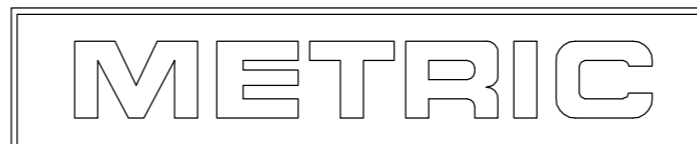
1. PINS TO COMPLY WITH AMP SOLDERABILITY SPEC. 109-11-3.
2. 0.00381 MIN MATTE TIN LEAD PLATE OVER 0.00127 MIN NICKEL.
3. 0.00076 MIN GOLD PLATE IN THE LOCALIZED PLATE AREA, 0.00381 MATTE TIN LEAD IN THE LOCALIZED PLATE AREA, BOTH OVER 0.00127 MIN NICKEL.
4. 0.00381 MIN MATTE TIN PLATE OVER 0.00127 MIN NICKEL.
5. 0.00076 MIN GOLD PLATE IN THE LOCALIZED GOLD PLATE AREA, 0.00381 MIN MATTE TIN IN THE LOCALIZED TIN PLATE AREA, BOTH OVER 0.00127 MIN NICKEL.



RECOMMENDED LAYOUT FOR 1.57 THICK BOARD
 TOLERANCES NON-ACCUMULATIVE

MM	IN	MM	IN
1.40	.055	-	-
1.00	.039	13.97	.550
0.76	.030	13.49	.531
0.25	.010	5.59	.220
0.13	.005	5.46	.215
0.08	.003	5.08	.200
0.05	.002	4.45	.175
0.00381	.000150	4.14	.163
0.00127	.000050	3.18	.125
0.00076	.000030	1.57	.062

CONVERSION TABLE



BRASS, GOLD	5	NYLON, 94V-0, WHITE	1-794180-1
BRASS, TIN	4	NYLON, 94V-0, WHITE	1-794180-0
BRASS, GOLD	3	NYLON, 94V-0, WHITE	794180-2
BRASS, TIN LEAD	2	NYLON, 94V-0, WHITE	794180-1
PIN CONTACT MATERIAL AND FINISH		HOUSING MATERIAL AND COLOR	PART NO.

THIS DRAWING IS A CONTROLLED DOCUMENT.		DWN R. VESTAL 17 DEC 96	Tyco Electronics Corporation Harrisburg, PA 17105-3608
DIMENSIONS: mm		CHK R. SWING 17 DEC 96	
TOLERANCES UNLESS OTHERWISE SPECIFIED:		APVD R. ORSTAD 17 DEC 96	
0 PLC ± - 1 PLC ± - 2 PLC ± 0.13 3 PLC ± - 4 PLC ± - ANGLES ± - FINISH SEE TABLE		NAME	
MATERIAL SEE TABLE	WEIGHT -	PRODUCT SPEC -	HEADER ASSEMBLY, 3 CKT, EXTENDED TAIL, MINI-UNIVERSAL MATE-N-LOK(TM)
CUSTOMER DRAWING		SCALE 5:1	SIZE A2 CAGE CODE 00779 DRAWING NO C=794180 RESTRICTED TO - SHEET 1 of 1 REV A